



SPECIFICATION DATA

ENGINE

- Cummins QSM11-C335 electronic 6 cylinder low emission diesel.
- Tier 3 emissions compliant.
- Heavy duty air cleaner with restriction indicator and safety element.
- Engine protection system monitors oil pressure, water level and temperature.

TRANSMISSION AND DRIVE AXLE

- Dana (Clark) TE27 electronic powershift transmission.
- 4 speeds forward and reverse.
- T-con fully automatic electronic shift control provides forward/reverse interlock and downshift protection.
- Planetary style, wide drive axle with integral oil cooled wet disc brakes.
- Sealed 140 amp alternator, high charge at low RPM.

BRAKE SYSTEM

- Fully hydraulic operation.
- Oil cooled, wet disc service brakes.
- Brake system oil constantly cooled and filtered.
- Accumulator provides emergency applications in the event of engine failure.
- Failsafe park brake- spring applied, oil pressure released.

STEERING SYSTEM

- Hydrostatic system provides effortless, reliable control - 4.6 steering wheel revolutions from lock to lock.
- Heavy duty, welded beam design steer axle protects steer cylinder.
- Single, transverse mounted steer cylinder acting through fixed links - no adjustment required.
- Centralised lubrication of oscillation pins.
- One piece rim clamping flange provides wheel nut and stud protection.

HYDRAULIC SYSTEM

- Two tandem gear pumps
- 10 micron filtration on return
- Lowering control valves provide controlled lowering under all conditions.
- Accumulator in lift circuit provides shock load protection.
- Twin hose overmast improves reliability.

ELECTRICAL SYSTEM

- 24 V system supplied by 2 x 12 V 300 Ah batteries.
- Clip in relays for fast field replacement.
- Push button reset, circuit breaker protection.
- Harness in protective conduit with LED work lights and numeric code for easy circuit identification.
- Back-up alarm
- Full light kit including stop, tail and turn indicators.

OPERATORS CABIN

- Spacious, rear mounted cab designed for low noise.
- Tinted glass with mirror kits provides superior visibility.
- Fully adjustable steer column and ergonomically arranged controls and instruments.
- Joystick provides control for lift/tilt, side shift, and horn trigger on one lever.
- Audio-visual warning system.
- Luxury suspension seat with retractable seat belt.
- Front, rear and roof wipers and washers.

SERVICEABILITY

- Power module contains radiator, engine, transmission and hydraulics mounted on a skid for easy removal.
- Service compartments contain batteries.
- Spin on filter assemblies.
- Heavy duty, dual element air cleaner with cyclonic pre-cleaner.
- Gas strut assisted hoods and bonnets.
- Quick detach panel assemblies.
- Centralised lubrication system on mast and steer axle.

INTEGRAL GANTRIES

- Half height or full height.
- Automatic mechanical pile slope.
- Optional powered pile slope.

20' - 40' TOP AND BOTTOM LIFT ATTACHMENTS

- Floating twistlocks.
- Electrical and mechanical twistlock indicators.
- Hydraulic extendible and retractable to handle both 20' and 40' containers.
- Automatic twistlock operation.
- Twin cylinders provide slew and outreach and single cylinder for side shaft.
- Optional 30' or 35' stops.
- Optional chains for bottom lift capability.
- Optional integral intermodal top/bottom lift frame.
- Optional Integral Flexipick 20/40 Overheight Half Height attachment.

SAFETY FEATURES

- Lift cutout in event twistlocks not fully locked or unlocked.
- Lower cutout reduces stress on attachment and mast.
- Stability monitor indicates stable retract, back tilt and lift height condition.
- Speed limited when laden.

OPTIONAL EXTRAS

- Air conditioning.
- Remote lift chain lubrication system.
- Weight gauge.
- Observers' seat.
- Omega Data Management system.
- Elevated cab.

DESIGNED AND MANUFACTURED IN AUSTRALIA

FEATURES

- Cummins QSM11 engine.
- Dana Electronic TE27 transmission.
- Wet disk Brakes, oil cooled.
- Fully enclosed cabin.
- Engine protection system.
- Joystick servo controls.
- Centralised lubrication.
- Reliable construction.

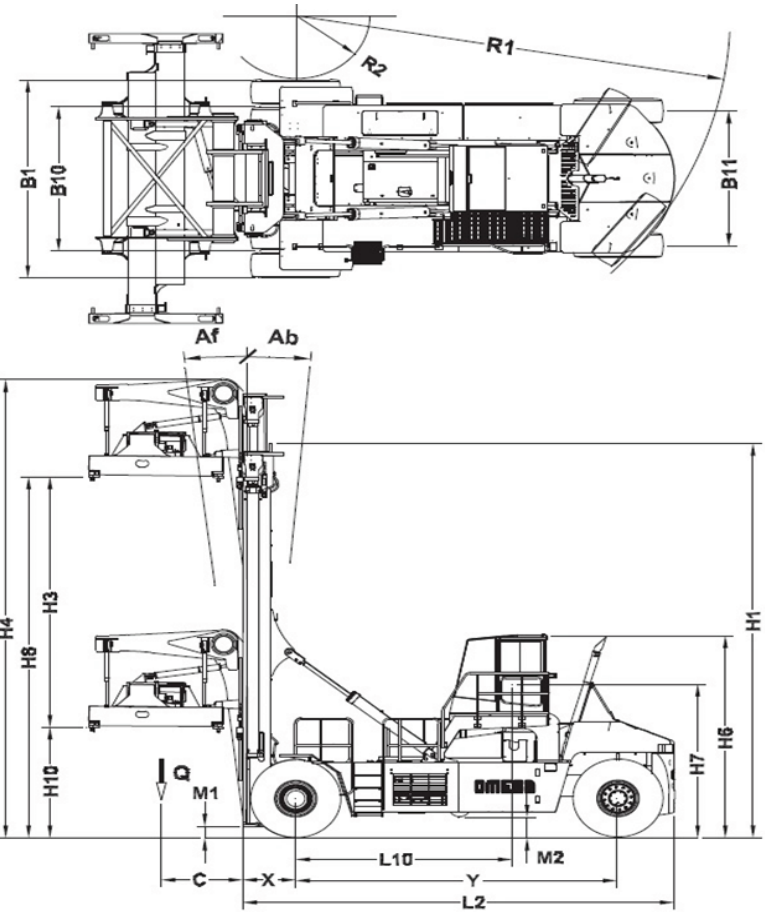
FOR FURTHER INFORMATION CONTACT

Clark Equipment Australia Pty Ltd
Heavy Equipment Division
30 Salisbury Rd/PO Box 50, Hornsby
NSW Australia 2077

T: 02 9477 8446
F: 02 9476 2241
E: omega@clarkequipment.com
W: www.omega-heavy-trucks.com
www.clarkequipment.com

SPECIFICATION DATA

1 MANUFACTURER		OMEGA DEDICATED CONTAINER HANDLER							
2 MODEL		REF	Designation	Units	42E	44E	48E	50E	54E
3 LOAD CAPACITY		Q	Rated Load	kg	32 000	34 000	35 000	36 000	40 000
4 LOAD CENTRE		C	Retracted / Extended	mm	1460/1690				
5 OPERATOR TYPE			Stand on / driver seated		Seated				
6 UPRIGHT		H3	Standard lift height	mm	10 000				
7		H8	Lift height under twistlocks	mm	12 300				
8 ATTACHMENT			Type		Telescopic 20'/40' with hyd. slew ±5.8°, reach 230 mm, sideshift 400mm, mech. pile slope ±6°				
9 TILT OF UPRIGHT		Af/Ab	Forward / Backward	deg	4 / 6		2 / 6		
10		L2	Length to load face	mm	7060		7760		
11		B1	Width	mm	4118				
12		H1	Overall height lowered	mm	8230				
13 OVERALL DIMENSIONS		H4	Overall height raised (upright only)	mm	14355 (13065)				
14		H6	Height of cabin	mm	4266				
15		H7	Height of seat	mm	2984				
16		L10	Distance, seat	mm	3081		3781		
17 TURNING RADIUS		R1	Empty / Laden external	mm	7168		8161		
18		R2	Empty / Laden internal	mm	961		1529		
19 LOAD FACE DISTANCE		X	Centre of drive axle to load face	mm	933				
20 AISLE WIDTH 90°		Ast	Aisle for containers 20'/40'	mm	11791/14947		12815/15156		
21			travel - laden/unladen	km/h	21/23				
22 SPEEDS			lifting - laden/unladen	m/s	0.25/0.28				
23			lowering - laden/unladen	m/s	0.4/0.3				
24 MAX. DRAWBAR PULL			Laden	kN	368				
25 GRADEABILITY 1.6KM/H			Laden	%	23				
26 MAX. GRADEABILITY			Laden	%	30				
27 SERVICE WEIGHT			including battery (line 45)	kg	69988	72850	73570	69188	71140
28			Laden (front/rear)	kg	90857/11131	93800/11688	95660 / 12910	93876/11312	99340 / 11800
29 AXLE LOADING			Unladen (front/rear)	kg	43773/26215	43773/27715	44080 / 29490	42955/26233	43040 / 28100
30 TYRE TYPE			P=Pneumatic C=Cushioned	Front/rear	P/P				
31 WHEELS			Number of wheels	Front/rear	4/2				
32			Size	Front	1800-25/40PR				
33 TYRES			Size	Rear	1800-25/40PR				
34 WHEELBASE		Y		mm	5100		5800		
35 TREAD		B10/B11	Centre lines tyres front/rear	mm	3025/2801				
36 GROUND CLEARANCE		M1	Laden (minimum)	mm	241				
37		M2	Laden middle of W'base	mm	436				
38 SERVICE BRAKE			Type - brake wheels		Wet disc brakes - driven wheels				
39 PARKING BRAKE			Type - brake wheels		Spring applied, hydraulic released - driven wheels				
40 BATTERY			Volts/ampere Hrs (max capacity)	V / Ah	24 / 180 / 1460				
41 FUEL TANK			Capacity	L	440		720		
42 HYDRAULIC TANK			Capacity	L	460		580		
43			Manufacturer - Cummins	type	QSM11 - C335				
44			Rated output SAE J1349	kW	250				
45 I.C. ENGINE			Rated speed SAE J1349	RPM	2100				
46			No. Of cylinders/displacement	cm ³	6/10800				
47			Max Torque	Nm/RPM	1674 / 1400				
48 TRANSMISSION			DANA Clark	Speeds	TE27 4F/4R				
49 OPERATION PRESSURE			For attachments (adjustable)	Bar	195				
50 SOUND LEVEL			Average at driver's ear*	dB(A)	80				
51 TIP UP FACTOR			With rated load mast vertical		1.75	1.74	1.75	1.77	1.78
52			*AS3713-1985						



*all omega specifications and data are subject to change without notice