



**Bobcat**®

## **Telehandlers**



***One Tough Animal.***

# Telescopic Loader

# Productivity meets superior comfort

# Telescopic Handler

**TELESCOPIC LOADER SERIES APPLICATION 2.6~4.3 TON, 6~8 M FOR HEAVY DUTY JOBS**

TL series Bobcat Telescopic Loaders are made for heavy-duty and high-productivity jobs. Thanks to a specific frame and boom shielded design with top-quality Bobcat features, they are perfectly suited to intensive loading and applications in the construction and waste industries.

**MEET YOUR NEW WORKMATE**

Treat yourself to a superior machine that combines all-day comfort, superior productivity and dependability, intelligent features, and a robust build with intuitive operation and excellent all-round ergonomics.

**TELESCOPIC HANDLER SERIES APPLICATION 3.5~4.1 TON, 10~18 M HIGH LIFT JOBS & MAN PLATFORM**

With reach, agility and strength, Bobcat R-series Telescopic Handlers are particularly popular in the construction and rental industries. The combination of high performance, top-class features and ease of use makes these machines the ideal solution for demanding jobs and precision work.



Smart boom functions\*:  
 • Automatic suspension  
 • Floating mode  
 • Automated movements  
 • All Speeds adjustment  
 • Lifting height limit

Class-leading breakout force up to 7 tonnes

Self-cleaning of cooling system thanks to the automatic reverse fan

Perkins Stage IIIA engine with up to 130HP and 516Nm torque

Quick and easy cleaning windows, mirror de-icing and windshield demisting

4 steering modes\*:  
 2-wheel steer, 4-wheel steer, Crab steer, Semi-crab steer.

Oil immersed axles with Limited Slip Differential



Boom Positioning System for easy load placement at height.

Precise boom movements for safe placement

Rigid and robust boom

All-around visibility

Low cab position for easy access

Compact stabilizers for high maneuverability

High ground clearance

\*according to AGRI pack version



**► PREMIUM WORKSPACE**  
 All-new, roomy cab with loads of comfort features, including a seat with dynamic suspension and heated/cooled storage compartments.



**► INTUITIVE & SMOOTH OPERATION**  
 Thanks to the intelligent cab layout, color-coded control elements, and an all-in-one joystick with improved ergonomics.



**► CONTROL AT ANY HEIGHT**  
 With surgical precision – thanks to the incredibly smooth transmission, our Boom Positioning System, an updated joystick, the inching function, and great visibility from the cab.



**► INSPIRING CONFIDENCE**  
 The impressive stability of Bobcat Telehandlers is complemented by many practical safety features and ease of use.

\*Options and features showing in the picture may vary depending on models and region.



# Performance in Construction



## PRECISION MEETS TOUGHNESS



### WORK WITHOUT STABILIZERS

With the superior stability and balance of our Telehandlers, most jobs do not require stabilizers. Enjoy the freedom of operation and stay in control with Bobcat's Boom Positioning System, active on tires and stabilizers.



### REACH HIGH AND FAR

We designed the machine with a low center of gravity, long wheelbase, heavy counterweight, and optimum weight distribution – so you can reach high and far while handling heavy loads with ease in any position.



### HANDLE WITH(OUT) CARE

Thanks to the Bobcat Telehandlers' butter-smooth automatic transmission and an improved, ultra-precise joystick, it's easy to move even awkward or unstable loads on the job site.



### UNIQUE BOOM POSITIONING SYSTEM

Significant lateral movement of the boom allows precise placement of a load at height. This reduces the need to reposition the machine. This Bobcat patented function is standard on all SLP models.

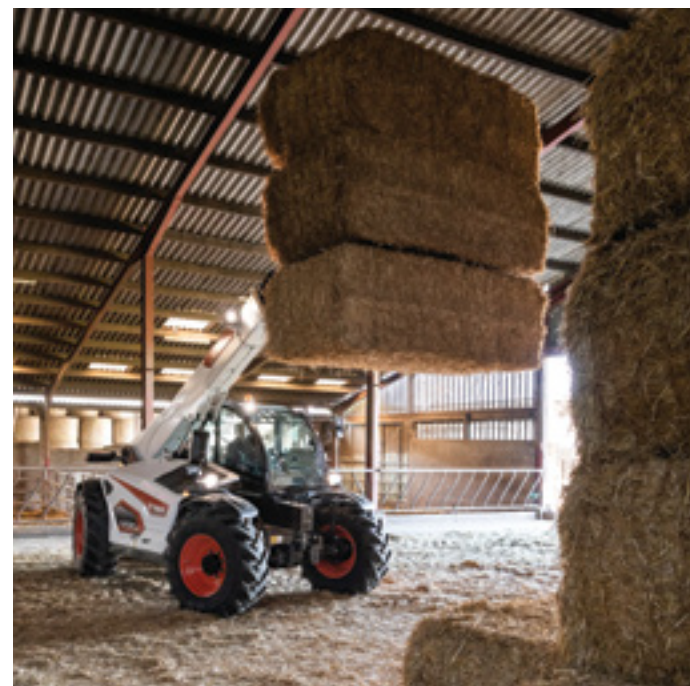
\*Options and features showing in the picture may vary depending on models and region.



# Performance in Agriculture



**SMARTER AND FASTER**



**INCREASED EFFICIENCY AND PRODUCTIVITY**

The best-in-class boom speeds, the powerful transmission and automated boom movements, allow operators to complete their work more efficiently and in less time.

**CONFIDENCE-INSPIRING STABILITY**

Handle heavy loads at any height easily and safely, thanks to the well-balanced construction, low center of gravity, heavy counterweight, and long wheelbase.



**AUTOMATED BOOM FUNCTIONS**

**Bucket shaking**

Position of the joystick determines the type of bucket shaking:

- neutral: shaking gradually empties the bucket
- left: crowding better distributes the material in the bucket
- right: dumping removes sticky material from the bucket

**Max Lift angle**

Prevent collisions in low ceiling buildings by setting the maximum boom angle.

**Return to ground**

Set the angle of the retracted boom. As the boom is lowered, it self-retracts and stops in the set position, avoiding damage to the attachment or the ground.



\*Options and features showing in the picture may vary depending on models and region.

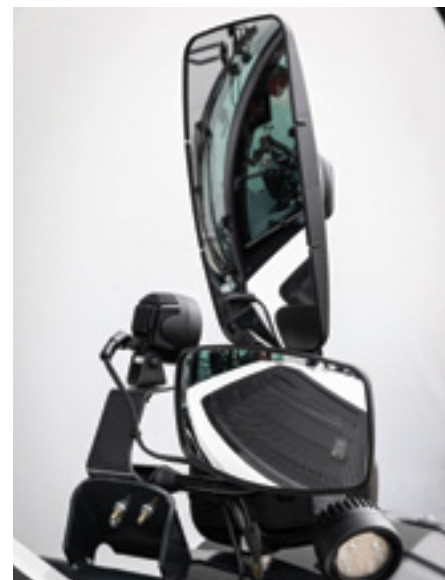


# Comfort



This image shows the interior of Large models.

## FIRST-CLASS USER EXPERIENCE



### ▶ 360° VISIBILITY

Get a full view of the job site thanks to a fully glazed cab, thin roof grid, sloped hood and low dashboard. Up to 8 LED work lights memorize their last configuration, while electric mirror is equipped with de-icing function.



### ▶ ALL-IN-ONE SMART JOYSTICK

Mounted on the seat armrest (available on Large models), controlling the boom, machine's speed and direction, shaking the bucket, floating attachments, and operating Auto Grab function.

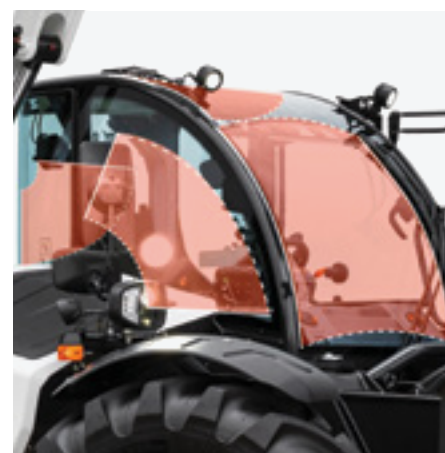


### ▶ INTUITIVE & SMOOTH OPERATION

Controls are in easy reach, and their intuitive layout and color-coding allow you to find everything quickly. Individual elements are backlit and use the same color-coding, preserving their appearance in the dark.

### ▶ INTERACTIVE DISPLAY

Streamlined information is available with an interactive 5-inch display with Bluetooth radio, microphone & loudspeakers. For increased safety and easier manoeuvring, the feed from the rear camera is displayed when reversing.



### ▶ QUICK CLEANING FUNCTION

Clean all windows within seconds. All wipers and washers are activated by pushing one button.



### ▶ EASY CAB ACCESS

Getting in and out of the new cab is very convenient, thanks to the wide door opening, a single notched step, numerous handles, and unobstructed access to the new Grammer Maximo air seat.



# Uptime Protection



**THERE'S NO TIME FOR DOWNTIME. STAND UP TO THE HARSHTEST CONDITIONS. DAY AFTER DAY.**

## ▶ ACCESS AND LAYOUT

Designed to achieve maximum uptime and make maintenance quick and simple. Most important components are directly accessible from the front. Service intervals are conveniently grouped together and all maintenance points are easy to locate and access.



## ▶ ENGINE BASKET – EASY ACCESS - SIMPLE MAINTENANCE

- Engine basket has been redesigned to allow optimized visibility on right side as well as clear access to all main maintenance points.
- Increased hood opening and easy access to regular maintenance points such as oil filter, oil plug, air filter, etc.

## ▶ SHIELDED DESIGN

All vital components of your machine are located inside the highly rigid boom and frame. The frame itself features a robust box section. The machine's cylinders, hydraulic systems and electric harness stay well protected at all times.



## ▶ SAFETY FIRST

Thanks to the R-Series' redesigned low-profile engine hood and dashboard, you enjoy excellent unobstructed visibility from the cab. Move around the job site confidently, stay safe, and avoid costly mistakes.



Shielded bottom plate

\*Options and features showing in the picture may vary depending on models and region.



# ATTACHMENTS

## ► THE ABILITY TO DO MORE

Bobcat Telehandlers are designed to excel in a variety of applications in handling, lifting and people elevation. With Bobcat attachments, you can make the most of this versatility with optimal efficiency.

## ► ATTACHMENTS

- Floating forks
- Rigid pallet forks FEM III
- Side-shift carriages
- Digging buckets
- Crane jibs
- Extension jibs
- Concrete baskets
- Man platforms



Bucket



Crane jib



Large pallet forks



Lift eye on boom head (model depending)



Extension jib





# MIDDLE RANGE AND HIGH LIFT HEIGHT

## ▶ ADVANCED MACHINES FOR DEMANDING JOB SITES

Middle range features a boost in performance and reach, while keeping the compactness. For the most challenging work, High Lift Height machines provide outstanding reach and lifting capacities. While not compact, High Lift Height machines are still highly maneuverable.

Lift capacity: 3.6 to 4.1 t  
Lift height: 12 to 18 m



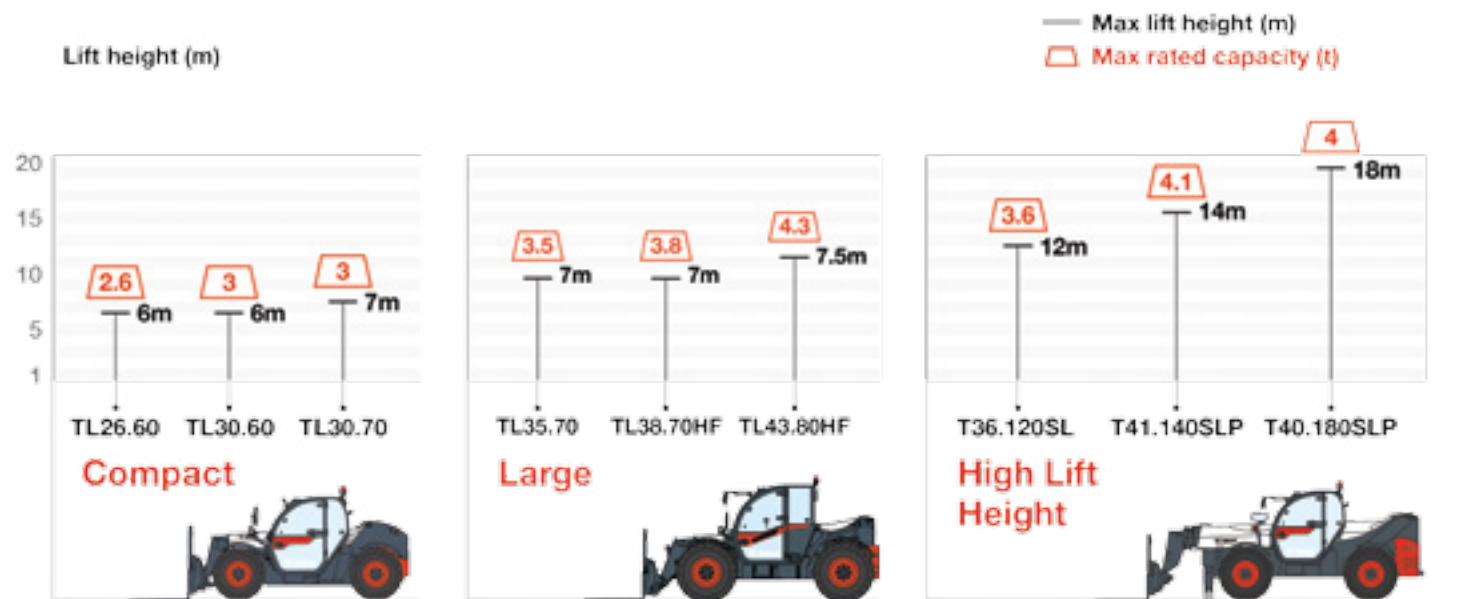
# CHOOSE YOUR ANIMAL

## COMPACT RANGE

### ▶ LIMITED ACCESS IS ACCESS ENOUGH

A big machine can mean big challenges. With the emphasis on maneuverability, Compact range machines thrive in constrained job sites.

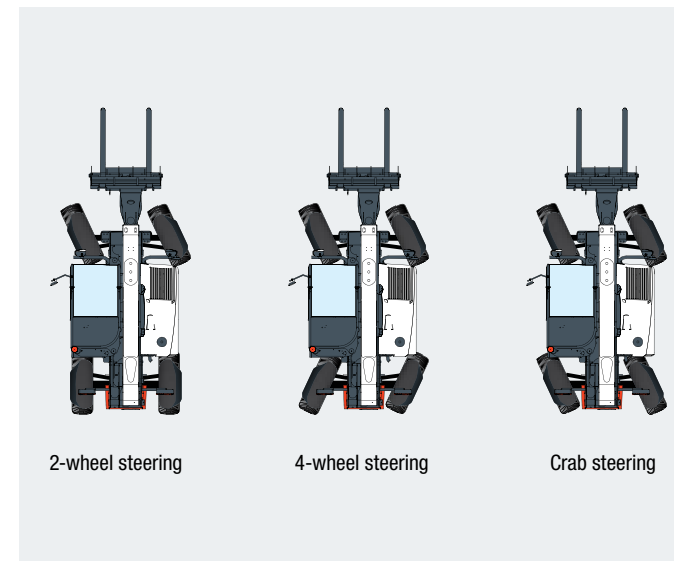
Lift capacity: 2.6 to 4.3 t  
Lift height: 6 or 8 m





# STANDARD EQUIPMENT & OPTIONS

Model	TL30.60	TL35.70 TL38.70HF	TL43.80HF	T40.180SLP	T40.180MP
<b>CAB</b>					
Mechanical suspension seat	Std	Std	Std	Std	Std
Air suspension seat	Opt	Opt	Opt	Opt	Opt
Grammer maximo air suspension seat	-	Opt	Opt	-	-
Bluetooth radio with DAB function and microphone	Opt	Opt	Opt	Opt	Opt
Standard Cab	Std	Std	Std	Std	Std
Cab+ (include phone holder, sun visor, fixed armrest, telescopic & tilting steering column, PVC document holder)	Opt	Opt	Opt	Opt	Opt
Cab+ AGRI (include "Cab+" and deluxe steering wheel, keychain, telescopic & tilting steering column, tractor 3-pin socket, 4 steering modes, work lights keypad, smart keypad with return to ground, max lift angle)	Opt	Opt	Opt	-	-
Heating, demisting and ventilation	Std	Std	Std	Std	Std
Air conditioning	Opt	Opt	Opt	Opt	Opt
Front, side and rear storages	Std	Std	Std	Std	Std
5" LCD display with navigation jog shuttle	Std	Std	Std	Std	Std
Standard joystick (include FWD/REV drive and turtle/rabbit speed)	Std	Std	Std	Std	Std
Smart joystick (include proportional controls, FWD/REV drive, bucket shaking, boom float pre-arrangement)	Opt	Opt	Opt	-	-
Lunch box (heated and cooled if air conditioning equipped)	-	Opt	Opt	-	-
Protective grill for windshield	Opt	Opt	Opt	-	-
Rear view camera	Opt	Opt	Opt	Opt	Opt
ROPS/FOPS (level II) Cab with tinted glass	Std	Std	Std	Std	Std
Sun visor	Opt	Opt	Opt	Opt	Opt
Tilting steering column	Std	Std	Std	Std	Std
USB plugs (mobile charging)	Std	Std	Std	Std	Std
<b>TIRES &amp; TRAVEL</b>					
24" general purpose tires	Opt	Opt	Opt	Opt	Opt
Heavy duty tires (various types)	Opt	Opt	Opt	Opt	Opt
Heavy duty axles	Std	Std	Std	Std	Std
Max Travel Speed- 30km/h (with 24" tire)	-	Std	Std	Std	Std
Max Travel Speed- 31km/h (with 24" tire)	Std	-	-	-	-
Max Travel Speed- 40km/h (with 24" tire)	-	Opt	Opt	-	-
3 steering modes (2WS/4WS/CRAB) with semi-automatic wheel realignment (manual mode still available)	Std	Std	Std	Std	Std
4 steering modes (2WS/4WS/CRAB/semi-CRAB) with semi-automatic wheel realignment (manual mode still available)	Opt	Opt	Opt	-	-
Automatic parking brake	Std	Std	Std	Std	Std
FNR lever	Opt	Opt	Opt	Opt	Opt
Hydrostatic transmission with turtle/rabbit speeds, auto-shift	Std	Std	Std	Std	Std
<b>LIGHTS &amp; BEACON</b>					
Halogen beacon	Std	Std	Std	Std	Std
Halogen work lights on Cab	Std	Std	Std	Std	Std
LED work lights	Opt	Opt	Opt	Opt	Opt
Work lights on boom	Opt	Opt	Opt	Opt	Opt
<b>PERFORMANCE</b>					
Automatic fan inverter	Opt	Opt	Opt	Opt	Opt
Auxiliary hydraulic line on boom head with Fast Connect System (FCS)	Std	Std	Std	Std	Std
Boom wiring harness&electric connectors	Opt	Opt	Opt	Opt	Opt
Carriages with hydraulic attachment lock	Opt	Opt	Opt	Opt	Opt
Competitive carriages	Opt	Opt	Opt	Opt	Opt
Gear pump with flow sharing	Std	Std	Std	Std	Std
Inching function combined with brake pedal (for easy low speed approach without changing engine rpm)	Std	Std	Std	Std	Std
<b>MISCELLANEOUS</b>					
Aggravating Movements Arrester (EN15000)	Std	Std	Std	Std	Std
Box-welded framer with shielded bottom plate to protect vital parts	Std	Std	Std	Std	Std
Electronic Battery Disconnection (EBD)	Std	Std	Std	Std	Std
Lockable fuel caps	Opt	Opt	Opt	Opt	Opt
Man platform predisposition	-	-	-	-	Opt
Pallet forks (various types)	Opt	Opt	Opt	Std	Std
Protective zinc coat	Opt	Opt	Opt	Opt	Opt
Quicktach carriage with manual attachment lock	Std	Std	Std	Std	Std
Remote control for distance boom operation	-	-	-	Opt	Opt
Safety pack (include road lights, mirrors, front tow hitch, boom stop, rear/front/roof wipers with washers, back-up alarm, etc)	Std	Std	Std	Std	Std
Tilting steering column	Std	Std	Std	Std	Std
Toolbox	Opt	Opt	Opt	Opt	Opt
Tow hitches (various types)	Opt	Opt	Opt	Opt	Opt



3 steering modes as standard on all models



Hydrostatic transmission with dynamic mode for more agility comes as standard for all models.

**STANDARD EQUIPMENT**  
Our machines leave the factory ready for tough jobs from Day 1. A range of standard features covers everything from productivity to comfort, raising the bar for modern construction equipment.



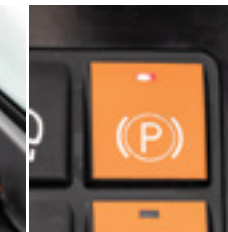
5" LCD display with navigation jog shuttle



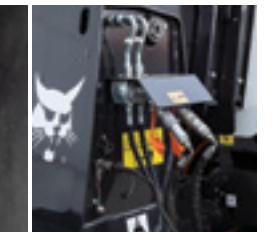
A & C type USB mobile charging plugs



All-in-one joystick



Automatic parking brake



Auxiliary hydraulic line on boom head with FCS\*



Easy to clean floor mat



Large front storage



Protective bottom steel plate



Side storage (bottle size)

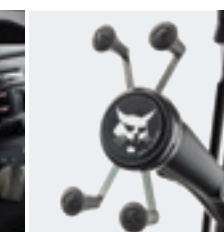
\*FCS – Fast Connect System



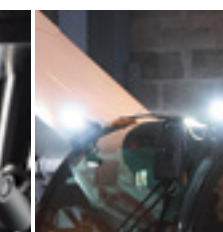
Air suspended seat with headrest



Bluetooth radio with DAB function and microphone



Mobile holder



LED work lights

**OPTIONAL EQUIPMENT**  
Sometimes, we all want to add a specific functionality or a personal touch to the machine. Choose from a list of comprehensive options and customize your telehandler to your heart's content!



Man platform ready



Tool box



Rear view camera



Sun visor



Tilting and telescopic steering column



# AGRI PACKS

C = Compact models: TL26.60, TL30.60, TL30.70  
L = Large models: TL35.70, TL38.70HF, TL43.80HF

AGRI PACKS				
	*	**	***	
<b>PERFORMANCE</b>				
C&L	Quicktach tool carrier with manual attachment lock	Std	Std	Std
C&L	Quicktach carriage with hydraulic attachment lock	Opt	Opt	Opt
C&L	Front auxiliary hydraulic line with quick couplers and Fast Connect System (FCS)	Std	Std	Std
C&L	Auto Boom suspension	Opt	Opt	Std
C&L	Boom float	Opt	Opt	Opt
C&L	Bucket shaking	Opt	Opt	Std
C&L	Boom cushion on boom retraction and boom lifting (min & max angle)	Std	Std	Std
C&L	Build-in air cyclonic prefilter with dust evacuation	Std	Std	Std
C&L	Inching function combined with brake pedal	Std	Std	Std
C&L	Creeping	Std	Std	Std
C&L	Auxiliary hydraulic flow adjustment	Std	Std	Std
C&L	Permanent hydraulic flow	Std	Std	Std
C&L	Boom speed adjustment (Smart handling system)	Std	Std	Std
C&L	Auto fan inverter with cycle time setting	Std	Std	Std
C&L	Limited slip differential on front axle	Std	Std	Std
<b>CAB</b>				
C	Mechanical suspension seat	Std	-	-
C	Air suspension seat	Opt	Std	Std
L	Mechanical suspension seat	Std	-	-
L	Air suspension seat	Opt	Std	-
L	Grammer Maximo air suspension seat with heating, left armrest	Opt	Opt	-
L	Grammer Maximo air suspension seat with heating, left armrest, and right armrest with joystick	Opt	Opt	Std
L	Lunch box (heated and cooled if air conditioning equipped)	Opt	Opt	Opt
C	Sun visor	Std	Std	Std
L	Sun visor	Std	-	-
C&L	Front and rear wipers with washer	Std	Std	Std
C&L	Roof window wiper with washer	Opt	Std	Std
C	Lateral window wiper with washer	Opt	Opt	Opt
L	Lateral window wiper with washer	Opt	Std	Std
C&L	Quick cleaning of all windows	Std	Std	Std
C&L	Electric mirror with de-icing on right-hand side	Opt	Opt	Opt
C&L	Standard joystick with proportional controls and FWD/REV drive	Std	Std	-
C&L	Smart joystick with proportional controls, FWD/REV drive, bucket shaking and boom float pre-arrangement	Opt	Opt	Std
C&L	FWD/REV drive lever on steering wheel	Opt	Opt	Opt
C&L	Standard 5" display with radio ready & loudspeakers	Std	-	-
C&L	Standard 5" display with Bluetooth radio, microphone & loudspeakers	Opt	Std	Std
C&L	USB plug (mobile charging)	Std	Std	Std
C&L	Rear view camera	Opt	Opt	Opt
C&L	Air conditioning (HVAC)	Std	Std	Std
C	Standard Cab	Std	-	-
C	Cab+ (Phone holder, sun visor, foamed arm rest, telescopic & tilting steering column, PVC document holder)	Opt	Std	-
C	Cab+ AGRI ("Cab+" + Deluxe steering wheel, keychain, telescopic & tilting steering column, tractor 3-pin socket, 4 steering modes, work lights keypad, smart keypad with return to ground, max lift angle)	Opt	Opt	Std

AGRI PACKS				
	*	**	***	
<b>CAB</b>				
L	Standard Cab	Std	-	-
L	Cab+ (Phone holder, sun visor, foamed arm rest, telescopic & tilting steering column, PVC document holder)	Opt	-	Std
L	Cab+ AGRI ("Cab+" + Deluxe steering wheel, keychain, telescopic & tilting steering column, tractor 3-pin socket, 4 steering modes, work lights keypad, smart keypad with return to ground, max lift angle)	Opt	-	Std
<b>LIGHTS</b>				
C&L	4 halogen work lights	Std	-	-
C&L	6 halogen work lights	Opt	Std	-
C&L	6 LED work lights	Opt	Opt	Std
C&L	Extra 2 LED work lights on the right mirror bracket	Opt	Opt	Opt
C&L	Halogen road lights & beacon	Std	Std	Std
C&L	LED road pack (road lights + rotating beacon + reversing light)	Opt	Opt	Opt
C&L	Blue lights for henhouses	Opt	Opt	Opt
<b>SAFETY</b>				
C&L	Aggravating Movement Arrester (EN15000)	Std	Std	Std
C&L	Cold start	Std	Std	Std
C&L	ROPS/FOPS (level II) Cab with tinted glass	Std	Std	Std
C&L	Front tow hitch	Std	Std	Std
C&L	Automatic parking brake	Std	Std	Std
C&L	Back-up alarm	Std	Std	Std
C&L	Boom stop	Std	Std	Std
C&L	Fire extinguisher	Opt	Opt	Opt
<b>TIRES, TRAVEL &amp; TOWING</b>				
C	Standard tire - 405/70-20"	Std	Opt	Opt
C	Michelin tire - 400/80-24"	Opt	Std	Std
C	Michelin tire - 400/80-20"	Opt	Opt	Opt
C	Alliance tire - 400/70-20"	Opt	Opt	Opt
C	Alliance tire - 405/70-24"	Opt	Opt	Opt
L	Michelin tire - 400/80-20"	Opt	Opt	Opt
L	Michelin tire - 400/80-24"	Std	Std	Std
L	Dunlop tire - 405/70-20"	Opt	Opt	Opt
L	Dunlop tire - 405/70-24"	Opt	Opt	Opt
C&L	Support for registration plate	Std	Std	Std
C&L	Rear mirror on tow hitch	Opt	Opt	Opt
C&L	Rear auxiliary hydraulic line (double action)	Opt	Opt	Opt
C&L	30km/h speed (with 24" tire)	Std	Opt	Opt
C&L	40km/h speed (with 24" tire)	Opt	Std	Std
C&L	Rotating tow hitch (including rear electric socket)	Std	Std	Std
C&L	Trailer brake	Opt	Opt	Opt
<b>MISCELLANEOUS</b>				
C&L	Anti-theft ignition system	Std	Std	Std
C&L	Electronic Battery Disconnection (EBD)	Std	Std	Std
C&L	Toolbox	Opt	Opt	Opt
C&L	Dust protection on boom	Std	Std	Std
C&L	Locable fuel Cap	Opt	Opt	Opt
C&L	Protective zinc coat	Opt	Opt	Opt
C&L	Protective grill for windshield (front and roof)	Opt	Opt	Opt
C&L	Wheel wedge	Opt	Opt	Opt

## AGRI PACKS

Bobcat telescopic loaders are available in three AGRI finishing levels. If you want to add a specific functionality, choose from a list of comprehensive options and customize your telescopic loader to your heart's content!



Side window wiper Feather-touch shuttle lever (FNR) Steel tool box (20 l) Adjustable sun visor Dust protection Extra LED work lights and electric mirror with de-icing



Boom suspension (Nitrogen accumulator) Tractor socket (12 V, 15 A) Smart joystick with Boom float and bucket shaking Rear view camera Rear mirror Built-in electric socket (2 lines)



LED road pack: road lights, rotating beacon, reversing light  
Anti-lock braking system (ABS) trailer socket, double-acting rear hydraulic auxiliary outlets and hydraulic trailer brake  
5" display with Bluetooth radio, microphone & loudspeakers



Hydraulic attachment locking using a dedicated auxiliary line



Special lunchbox with heating and cooling functions, made to fit a 1.5 l bottle & snacks

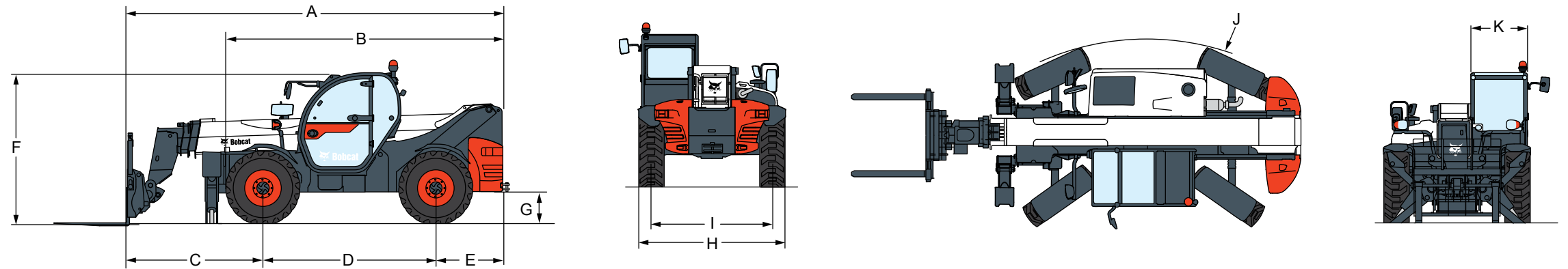


Grammer Maximo Air suspended seat with heating, Dynamic Dumping System (DDS) and joystick mounted on suspended armrest

\*Options and features showing in the picture may vary depending on models and region.



# SPECIFICATIONS



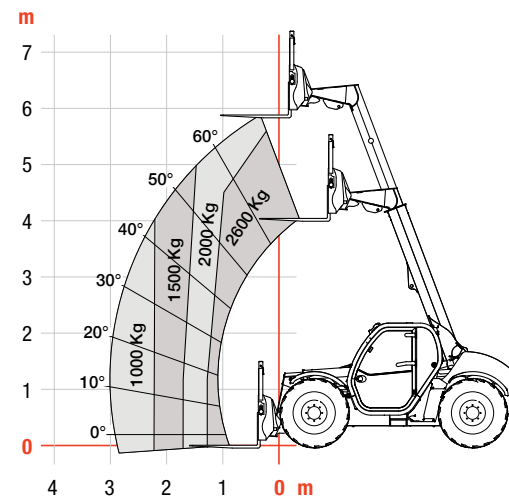
Model		TL30.60	TL30.60	TL30.60	TL35.70	TL38.70HF	TL38.70HF - EXPERT	TL43.80HF	T40.180SLP	T40.180MP
<b>Performance</b>										
Maximum lift height (on 24" tire, stabilizers)	mm	5890	5890	5890	6973	6973	6973	7505	17466	17466
Maximum Lift Capacity	kg	2600	3000	3000	3500	3800	3800	4300	4000	4000
Max forward Reach (24" tires)	mm	3010	3010	3930	3915	3915	3915	4022	13680	13680
Breakout force	kg	4600	4600	4600	6200	6200	6200	7000	12300	12300
Auxiliary Standard Flow	l/min	90	90	90	100	150	150	150	65	65
Operating Weight	kg	4900	5300	5605	7190	7460	7460	8050	10580	10580
<b>Engine</b>										
Engine Model		PERKINS / 1104D -44TA	PERKINS / 1104D -44TA	PERKINS / 1104D -44TA	PERKINS / 1104D -44TA	PERKINS / 1104D -E44TA	PERKINS / 1104D -E44TA	PERKINS / 1104D -44TA	PERKINS / 1104D -44TA	PERKINS / 1104D -44TA
Emission		Stage IIIA	Stage IIIA	Stage IIIA	Stage IIIA	Stage IIIA	Stage IIIA	Stage IIIA	Stage IIIA	Stage IIIA
Horsepower	kW	74.5	74.5	74.5	74.5	96.5	96.5	96.5	74.5	74.5
Horsepower	hp	100	100	100	100	130	130	130	100	100
Fuel Tank	liter	115	115	115	138	138	138	138	145	145
Standard tires		405/70-20"	405/70-20"	400/80-24"	400/80-24"	400/80-24"	460/70-24"	460/70-24"	400/80-24"	400/80-24"
Max Travel Speed- Standard tire	km/h	26.5	26.5	26.5	26	26	26	26	30	30
Max Travel Speed- on option	km/h	31	31	31	40	40	40	30	-	-
Steering modes		4 steering modes with automatic wheel realignment 2 wheel steering / 4 wheel steering / Crab-steer / Semi-crab steer (optional)						3 steering modes with semi-automatic wheel alignment: 2 wheels, 4 wheels, crab.		
<b>Configuration</b>										
Compact stabilizers		-	-	-	-	-	-	-	○	○
Frame leveling		-	-	-	-	-	-	-	○	○
Boom positioning system (built-in side-shift system)		-	-	-	-	-	-	-	○	○
Frame tilt angle	deg	-	-	-	-	-	-	-	+/- 4	+/- 4
<b>Dimension</b>										
A Overall length to forks face	mm	4507	4507	5035	4869	4869	4869	4975	6220	6220
B Overall length to front tires	mm	4035	4035	4185	4058	4058	4058	4256	4950	4950
C Length from front axle to forks face	mm	1020	1020	1400	1356	1356	1356	1352	2263	2263
D Wheelbase	mm	2820	2820	2820	2870	2870	2870	2870	2850	2850
E Length from rear axle to machine rear	mm	667	667	818	643	643	643	754	1107	1107
F Overall height std cab	mm	Low Cab: 2140	High Cab: 2290	High Cab: 2290	2373	2373	2373	2373	2520	2520
G Ground Clearance	mm	264	264	264	346	346	346	430	509	509
H Width over standard tires	mm	2100	2100	2100	2300	2300	2400	2400	2418	2418
Overall width with stabilizers fully deployed	mm	-	-	-	-	-	-	-	2619	2619
I Track width (front & rear)	mm	1666	1666	1666	1895	1895	1895	1895	1992	1992
J External turning radius at tires	mm	3717	3717	3717	3714	3714	3714	3714	4150	4150
K Outside width of Cab	mm	930	930	930	1013	1013	1013	1013	930	930
BPS Lateral amplitude	deg	-	-	-	-	-	-	-	+/- 675	+/- 675

Specification(s) are provided for comparison purposes only and are subject to change without notice.

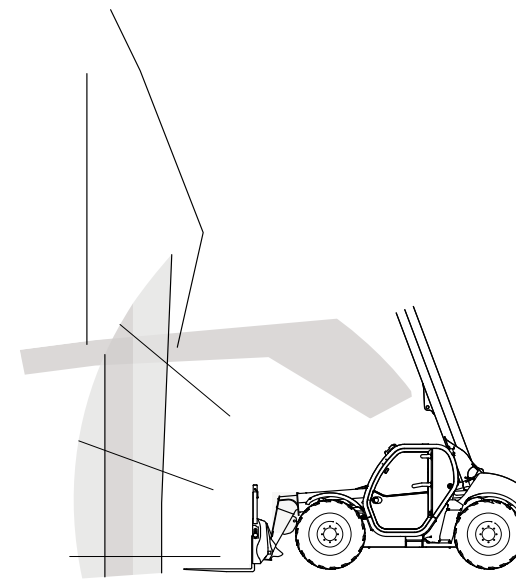
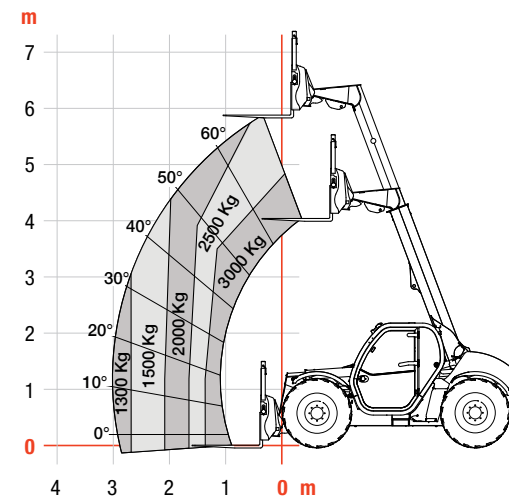


# COMPACT

TL26.60



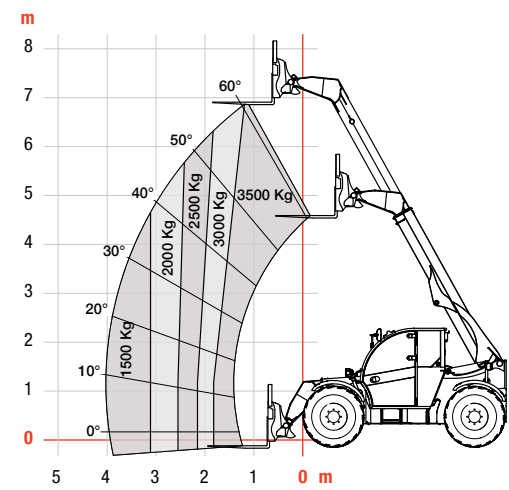
TL30.60



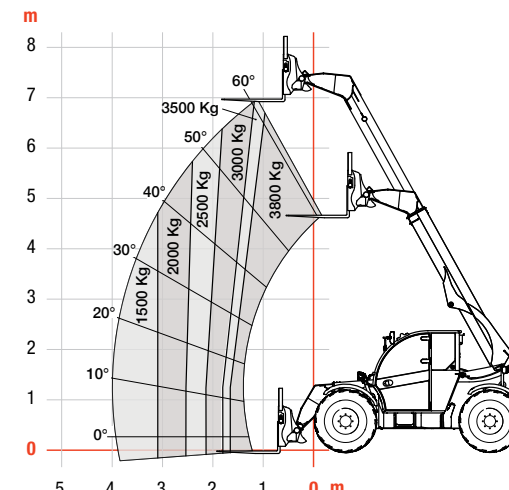
MEMO

# LARGE

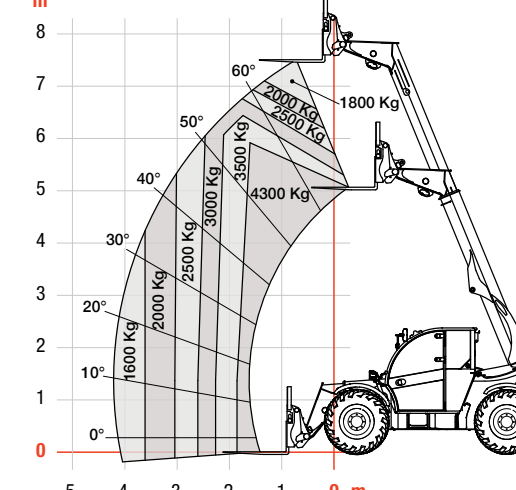
TL35.70



TL38.70HF

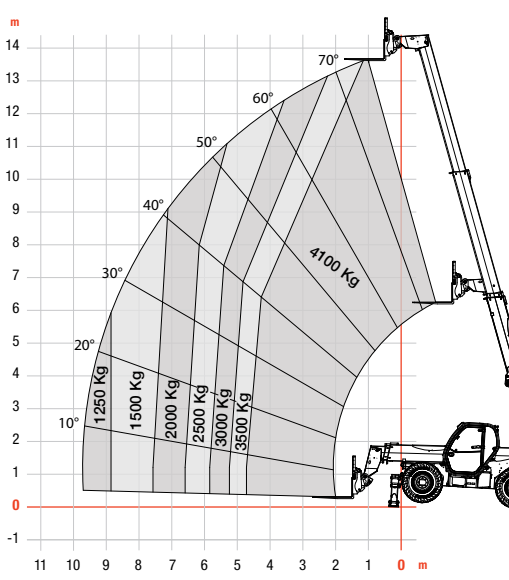
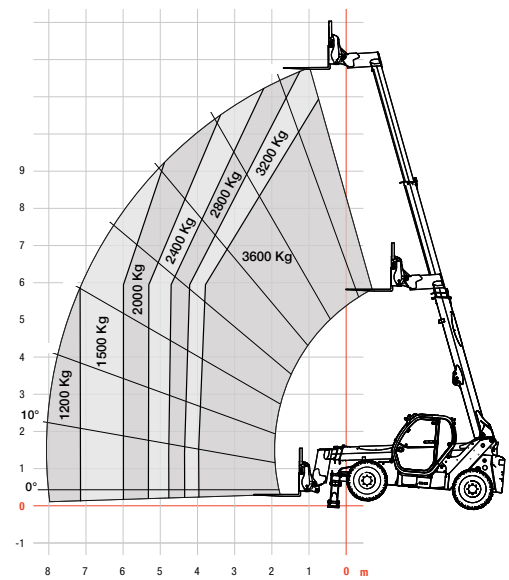


TL43.80HF

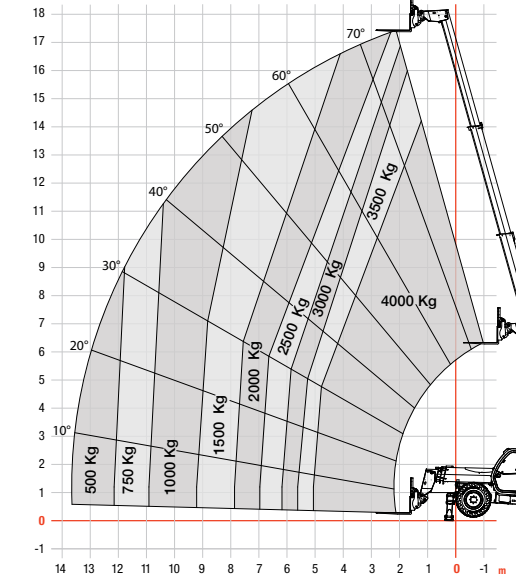


# HIGH LIFT HEIGHT

T41.140SLP



T40.180SLP







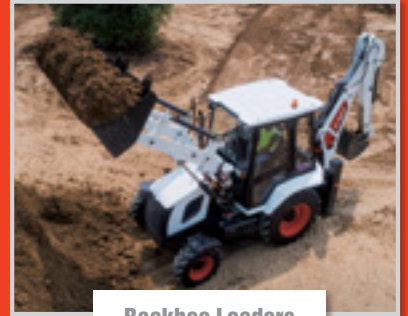
# THE LEADER IN VERSATILITY AND MANEUVERABILITY



Skid-Steer Loaders



Compact Track Loaders



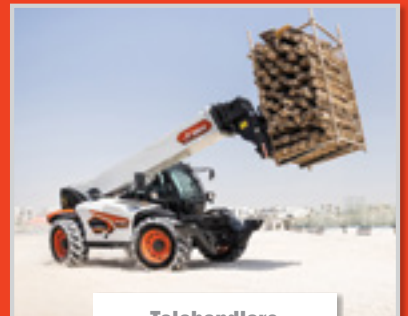
Backhoe Loaders



Compact Excavators



Mini Track Loaders



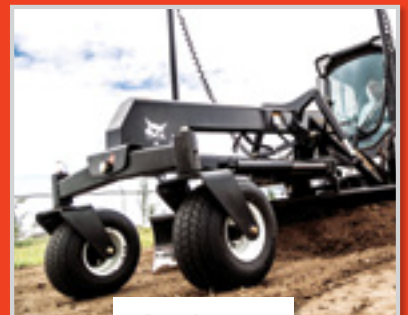
Telehandlers



Toolcat™ Utility Work Machines



Utility Vehicles



Attachments



Certain specification(s) are based on engineering calculations and are not actual measurements. Specification(s) are provided for comparison purposes only and are subject to change without notice. Specification(s) for your individual Bobcat equipment will vary based on normal variations in design, manufacturing, operating conditions, and other factors. Pictures of Bobcat units may show other than standard equipment. Actual feature(s) and option(s) may vary by the region.

**Bobcat is a Doosan company.** Doosan is a global leader in construction equipment, power and water solutions, engines, and engineering, proudly serving customers and communities for more than a century.

Bobcat®, the Bobcat logo and the colors of the Bobcat machine are registered trademarks of Bobcat Company in the United States and various other countries. ©2021 Bobcat Company. All rights reserved.

Doosan Bobcat Korea Co., Ltd.

[www.bobcat.com](http://www.bobcat.com)



**Bobcat**

*One Tough Animal.*