

WPi^o20

 Lithium-Ion Electric Hand Pallet Jack
Max. Capacity 2000kg



L-ion
CLARK Lithium-Ion-Power

Invented the Industrial Truck in 1917
First to manufacture 1 million units





BUILT TO LAST[®]



Singapore



Bucheon, Korea



Lexington, Kentucky,
USA



Hai Duong, Vietnam



Qingdao, Shangdon Province,
China



San Jose, Costa Rica



Campinas City, Sao Paulo,
Brazil



Duisburg, Germany



Hornsby, New South Wales
Australia



Lyon, France

A Global Company

In 1917 CLARK invented the world's first industrial truck and has since then gone on to manufacture over 1 million units across the globe.

With over 100 years of manufacturing experience, a focus on engineering for reliability and a dedication to safety, you can count on every CLARK forklift being

BUILT TO LAST



The WPiO20 adds a compact Lithium-Ion Pallet Jack ideal for transporting all kinds of goods over short distances to the CLARK range which covers powered pallet jacks to electric reach trucks, through to container access and robust counterbalance forklifts up to 8 ton.



*Overseas model shown. Backrest is not a standard feature.

- **Powered by Lithium-Ion Battery**
- **Suitable for Confined Spaces**
- **Rapid Charge & Battery Change**
- **Smart Display**

L-ion

CLARK Lithium-Ion-Power



Capacity:
max. 2,000 kg



Height of lift:
max. 140 mm



Driving speed:
max. 5.5 km/h



Work processing
width: min. 2,228 mm



Battery power:
max. 48 V 30 Ah



Drive motor:
48 V, 0.75 kW

WPio20 Features

Compact for Safe Travel

A compact design allows the WPio20 to easily move within confined spaces in a range of different applications.



Smart Display

Battery management is made simple with a large clear display that shows battery charge percentages and operating hours.



Powerful Lithium-Ion Battery

Powerful Lithium-Ion technology results in a long lasting, light weight and maintenance free battery.



Maximum Operation Uptime

2 hour charge times and the ability to avoid long downtimes by recharging throughout the day, the WPio20 ensures maximum uptime.



Easy Charging

The internal charger can be connected to a standard 240v power socket and without the need for a dedicated charging room.



Fatigue Free Operation

Intuitive ergonomic drawbar with all controls in easy reach reduces fatigue for the operator.



Rapid Battery Change

Handy exchangeable batteries with a weight of only 14kg are optionally available to further increase uptime.



Extended Operating Times

Featuring a run time of up to 5 hours, the WPio 20 ensures maximum efficiency when lifting, lowering and transporting loads.



Conveniently Located Document Holders

Documents are always within easy reach with the two document holders placed near the drawbar handle.



WPio20 Features

Low Service Weight

With a weight of only 250kg, the WPio20 is ideally suited for use in confined work areas and on trucks.



LED Light on Battery

Placed conveniently on the battery, the LED light provides illumination in low lit areas to assist in accurate loading or unloading.



Simple Access Control

Quick and easy on and off powering with the smart key.



Safe Operation

Automatic braking when tiller arm is released. Belly button reversing switch improves safety for your operators.



Intuitive Operating Design

Suitable for both left and right handed users with all controls easily accessible.



L-ion
CLARK Lithium-Ion-Power

WPio20 Specifications

Product Specification acc. to VDI 2198

	1.1 Manufacturer (Abbreviation)		CLARK	
Specifications	1.2 Manufacturer's designation		WPio20	
	1.3 Drive		48V Electric	
	1.4 Operator type		Pedestrian	
	1.5 Rated capacity/rated load	Q (kg)		2000
	1.6 Load centre distance	c (mm)		600
	1.8 Load distance	x (mm)		1000
	1.9 Wheelbase	y (mm)		1268
Weight	2.1 Service weight incl. battery (see 6.5)	kg	250	
	2.2 Axle loading, laden front/rear	kg	685 / 1565	
	2.3 Axle loading, unladen front/rear	kg	185 / 65	
Tyres, Chassis	3.1 Tyres		Polyurethane	
	3.2 Tyre size, front		Ø 250 x 102	
	3.3 Tyre size, rear		2 x Ø 82 x 85 / Ø 82 x 115	
	3.4 Additional wheels (dimensions)		Ø 74 x 48	
	3.5 Wheels, number front/rear (x = driven wheels)		1 x + 2 / 4 / 1 x + 2 / 2	
	3.6 Tread, front	b10 (mm)		441
	3.7 Tread, rear	b11 (mm)		390
Dimensions	4.4 Lift	h3 (mm)	140	
	4.4 Lift height	h3 + h13 (mm)	222	
	4.9 Height tiller in driving position min./max.	h14 (mm)	716 / 1240	
	4.15 Height, lowered	h13 (mm)	82	
	4.19 Overall length (without platform)	l1 (mm)	1592	
	4.20 Length to face of forks (without platform)	l2 (mm)	423	
	4.21 Overall width	b1 (mm)	685	
	4.22 Fork dimensions	s • e • l (mm)	55 x 170 x 1170	
	4.25 Distance between fork-arms	b5 (mm)	685	
	4.32 Ground clearance, centre of wheelbase	m2 (mm)	27	
	4.33 Aisle width for pallets 1000 x 1200 sideways	Ast (mm)	2228	
4.34 Aisle width for pallets 800 x 1200 lengthways	Ast (mm)	2076		
4.35 Turning radius	Wa (mm)	1428		
Performance	5.1 Travel speed, laden/unladen	km/h	5.0 / 5.5	
	5.2 Lift speed, laden/unladen	m/s	0.023 / 0.029	
	5.3 Lowering speed, laden/unladen	m/s	0.037 / 0.027	
	5.8 Max. gradeability, laden/unladen *1	%	8 / 16	
	5.10 Service brake		Electric	
Electrics	6.1 Drive motor rating S2 60 min	kW	0.75	
	6.2 Lift motor rating at S3 15 %	kW	0.84	
	6.3 Battery acc. to DIN 43531/35/36 A, B, C, no		No	
	6.4 Battery voltage/nominal capacity (5hr)	V/Ah	48 / 30	
	6.5 Battery weight	kg	14	
	6.6 Energy consumption acc. to VDI cycle	kWh/h	-	
	- Battery type		Lithium-ion	
	8.1 Type of drive unit		DC	
Misc.	10.5 Steering design		Mechanical	
	10.7 Sound pressure level at the driver's seat acc. to EN 12053	dB(A)	74	

*1) At friction coefficient $\mu=0.6$ with 1.6 km/h

All data refer to trucks in standard design.

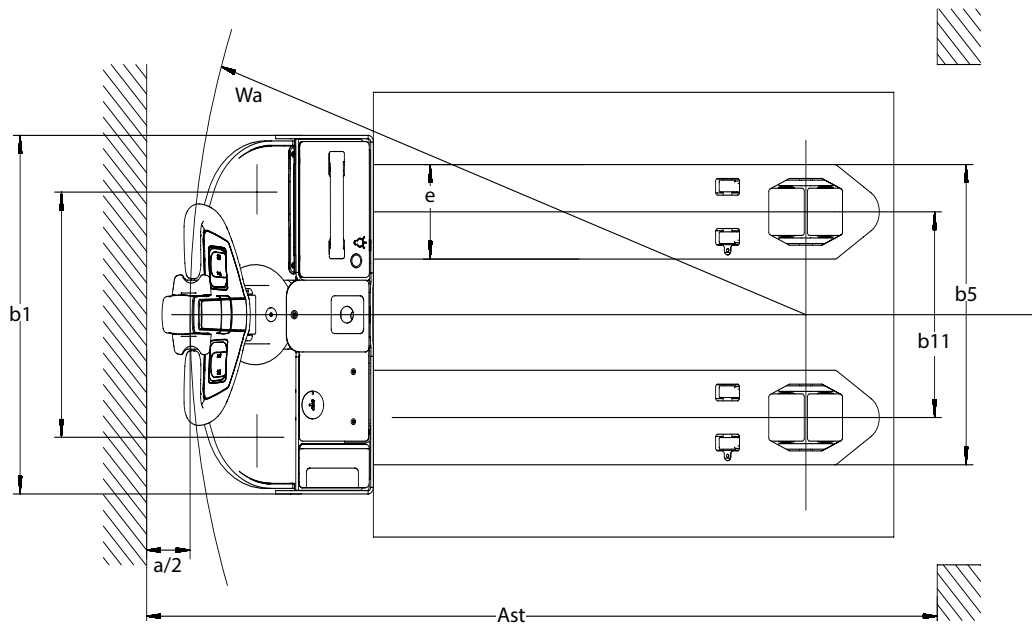
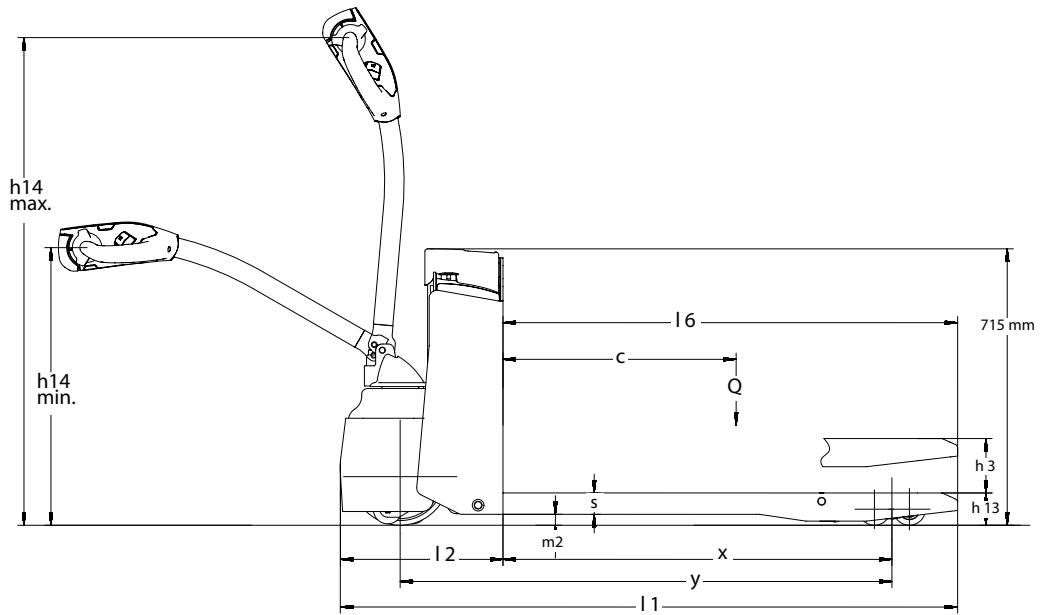
Performance may vary + 5 % and - 10 % due to motor and system efficiency tolerance. The performance shown represents nominal values which may be obtained under typical operating conditions of a machine. CLARK products and specifications are subject to change without notice.

WPi_o20 Dimensions

$$R_h = \sqrt{x^2 + \left(\frac{b_{12}}{2}\right)^2}$$

$$A_{st} = W_a + l_6 - x + a \text{ if } R_h < W_a$$

$$A_{st} = R_h + l_6 - x + a \text{ if } R_h > W_a$$



For corresponding data see specification chart.

WPi^o20

**Compact.
Powerful.
Rapid Charge.**



*Overseas model shown. Backrest is not a standard feature.

CLARK

Also in the CLARK Warehouse Range



WSRX30

Electric Pantographic Walkie Stacker
No Forklift Licence Required



std. 4500mm max. 1500kg



SRX16

Electric Sit Down Reach Truck
Premium Model



up to 10000mm max. 1600kg

CTX70

Electric Tow Truck
Compact, Agile and Powerful



7000kg Towing Capacity



WPL25

Lithium-Ion Hand Pallet Jack
Fast charge



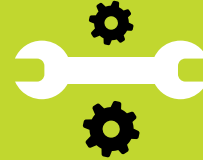
max. 195mm max. 1200kg





GLOBAL PRESENCE

CLARK products are in operation all around the world. An estimated 350,000 units in operation currently!



RELIABLE SPARE PARTS SERVICE

CLARK has state of the art distribution warehouses in USA, South Korea, Brazil, China, Australia, Germany and Vietnam.



COMPREHENSIVE DEALER NETWORK

Over 550 sales & distribution partners in more than 90 countries ensure a high level of availability of our products and services.



EXCELLENT QUALITY

CLARK is the forerunner in high quality standards and innovative product developments.