

# E20 — SPECIFICATIONS

## Weights

Operating weight (ISO 6016)	1930 kg
Ground pressure	30.1 kPa

## Engine

Make / Model	Kubota / D722-E4B-BCZ-7 (Tier 4)
Fuel	Diesel
Number of cylinders	3
Displacement	0.7 L
Maximum power (SAE J1995)	10.4 kW (13.9 HP)
Maximum torque (SAE J1995)	43.5 Nm

## Performance

Digging force, arm (ISO 6015)	10,371 N
Digging force, long arm (ISO 6015)	9279 N
Digging force, bucket (ISO 6015)	20,835 N
Drawbar pull	23,471 N
Travel speed (low)	2.1 km/h
Travel speed (high)	4.2 km/h

## Hydraulic System

Pump type	Dual piston pump with gear pump
Pump capacity	41.3 L/min
Auxiliary flow	30.0 L/min
Auxiliary relief	180.0 bar

## Swing System

Boom swing (left)	80.0°
Boom swing (right)	60.0°
Swing speed	8.4 RPM

## Fluid Capacities

Cooling system	3.3 L
Engine oil and filter	3.3 L
Fuel tank	19.0 L
Hydraulic system	19.0 L

## Standard Features

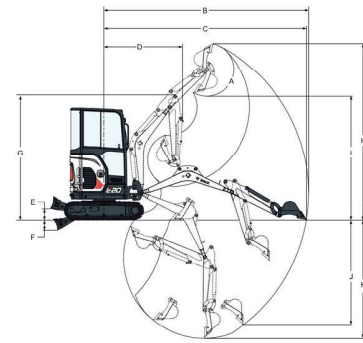
TOPS/ROPS/FOPS canopy <sup>1</sup>	Cupholders
Manually expandable dozer blade from 980 to 1360 mm	Hydraulically retractable undercarriage from 980 mm to 1360 mm
230 mm rubber tracks	Work light
Auxiliary hydraulics with quick couplers on boom	Engine auto shutdown
Control console locks	Key ignition
Horn	Full fuel warning alarm
Hydraulic joystick controls	Joystick pattern selector
Retractable seat belt	Fingertip auxiliary hydraulic control
Vinyl seat	

1. Roll Over Protective Structure (ROPS) — Meets requirements of ISO 3471. Tip Over Protective Structure (TOPS) — Meets requirements of ISO 12117. Falling Object Protective Structure (FOPS) — Meets requirements of ISO 3449.

## Options

TOPS/ROPS/FOPS cab with heater	Auxiliary hydraulics with quick couplers on arm
TOPS/ROPS/FOPS cab with heater and audio	Auxiliary hydraulics with caps on boom
Travel motion alarm	Boom and arm load holding valve
Auto-shift travel	Mirrors kit
Long arm	Beacon kit
Keyless ignition	Demolition option
Vinyl suspension seat	Klacc coupler
Deluxe cloth suspension seat	

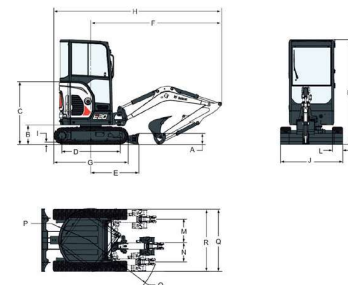
## Working Range



(A)	196.0°	(G)	2564.0 mm
(B)	4134.0 mm	(H)	3573.0 mm
(B*)	4307.0 mm	(H*)	3701.0 mm
(C)	4089.0 mm	(I)	2566.0 mm
(C*)	4264.0 mm	(I*)	2693.0 mm
(D)	1592.0 mm	(J)	1948.0 mm
(D*)	1611.0 mm	(J*)	2115.0 mm
(E)	220.0 mm	(K)	2385.0 mm
(F)	204.0 mm	(K*)	2565.0 mm

\* Long arm

## Dimensions



(A)	235.0 mm	(I)	25.0 mm
(B)	419.0 mm	(J**)	980.0~1360.0 mm
(C)	1138.0 mm	(K)	2297.0 mm
(D)	1258.0 mm	(L)	230.0 mm
(E)	1045.0 mm	(M)	476.0 mm
(F)	2882.0 mm	(N)	638.0 mm
(F*)	2862.0 mm	(O)	1190.0 mm
(G)	1620.0 mm	(P)	690.0 mm
(H)	3688.0 mm	(Q)	1532.0 mm
(H*)	3669.0 mm	(R)	1370.0 mm

\* Long arm

\*\*Retractable track



### Bobcat is a Doosan Company.

Doosan is a global leader in construction equipment, power & water solutions, engines, and engineering proudly serving customers and communities for more than a century. | Bobcat and the Bobcat logo are registered trademarks of Bobcat Company in the United States and various other countries. ©2020 Bobcat Company. All Rights Reserved.



# Bobcat®

Doosan Bobcat Korea Co., Ltd.  
www.bobcat.com